



Our new QuickPad™ mounting pad with support base makes installation and mounting of Strong Box® enclosures easier than ever. No concrete is needed.

The mounting pad has our unique fastening system that allows for easy, secure attachment of the pad to the support base and the enclosure to the pad.

Together, the heavy-duty pad, support base and a Strong Box® enclosure form a complete unit that is secure, stable and vandal resistant.

The buried support base provides added stability and security for the entire assembly.

All mounting hardware is stainless steel to prevent corrosion and rust.

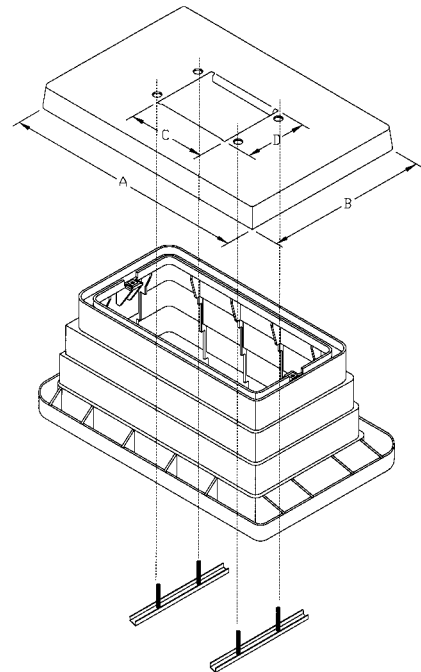
Patent No 6,321,928.

## QuickPad for Strong Box® Controller Enclosures

DIMENSIONS		
QP-16	QuickPad for SB-16	28.5" Wide, 18.5" Deep
QP-18	QuickPad for SB-18	28.5" Wide, 18.5" Deep
QP-18D	QuickPad for SB-18D	28.5" Wide, 28.5" Deep
QP-22	QuickPad for SB-22	28.5" Wide, 28.5" Deep
QP-24	QuickPad for SB-24	28.5" Wide, 18.5" Deep
QP-24D	QuickPad for SB-24D	28.5" Wide, 28.5" Deep
QP-M	QuickPad for Metered Enclosure	28.5" Wide, 28.5" Deep
QP-LD16	QuickPad for Light Duty Cabinets LD-16	28.5" Wide, 18.5" Deep

## QuickPad for Strong Box® Backflow Enclosures

DIMENSIONS		
QP-20BF	QuickPad for SBBC-20 Series	32" Wide, 19" Deep
QP-30BF	QuickPad for SBBC-30 Series	32" Wide, 19" Deep





Our new QuickPad™ OEM enclosure mounting pad with support base makes installation and mounting “original equipment” controller pedestals easier than ever. QuickPad OEM is specifically designed for use with a variety of controller pedestals from CalSense®, Irritrol®, Rain Bird®, Rainmaster®, Superior® and Toro®.

The QuickPad mounting pad has a unique fastening system that allows for easy, secure attachment of the pad to the support base and the pedestal to the pad.

Together, the heavy-duty pad, support base and a controller pedestal form a complete unit that is secure, stable and vandal resistant.

The buried support base provides added stability and security for the entire assembly.

All mounting hardware is stainless steel to prevent corrosion and rust.

Patent No. 6,321,928

## QuickPad for Original Equipment Manufacturers Controller Pedestals

		DIMENSIONS
QP-CAL	QuickPad for CalSense Pedestal	28.5" Wide, 18.5" Deep
QP-TOROG	QuickPad for Toro Golf Pedestal	19" Wide, 16" Deep
QP-MC42	QuickPad for Irritrol & Superior Pedestals	19" Wide, 16" Deep
QP-RBG	QuickPad for Rain Bird Golf Pedestal	19" Wide, 16" Deep
QP-RBG2	QuickPad for 2 Rain Bird Golf Pedestals	28.5" Wide, 18.5" Deep
QP-RBPED16	QuickPad for Rain Bird Commercial Pedestal	19" Wide, 16" Deep
QP-RM	QuickPad for Rainmaster Pedestal	19" Wide, 16" Deep
QP-HUN	QuickPad for Hunter Commercial Pedestal	19" Wide, 16" Deep
QP-SIGM	QuickPad for Signature Metal Pedestal	28.5" Wide, 18.5" Deep
QP-SIGP	QuickPad for Signature Plastic Pedestal	28.5" Wide, 18.5" Deep