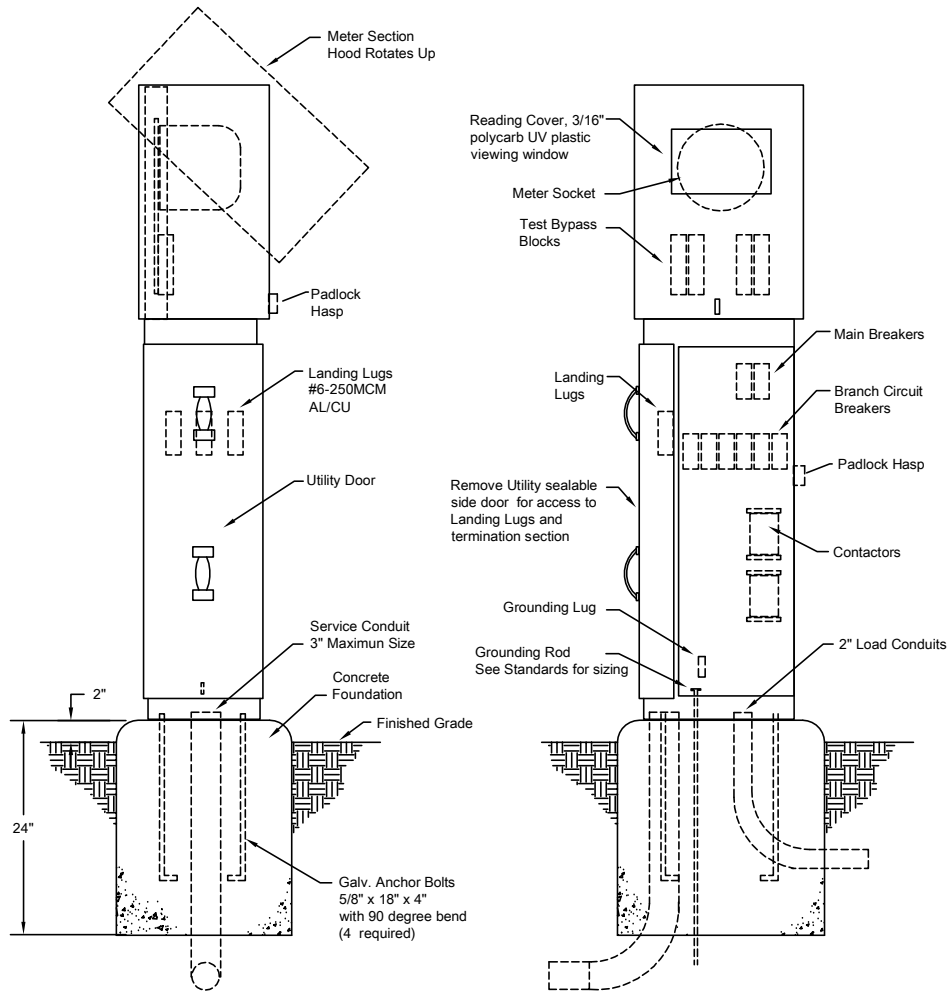


STRONGBOX CSP A-SERIES PEDESTALS

ALL WIRING TO CONFORM TO CALTRANS 2006
STANDARD PLANS ES-2D



GENERAL NOTES:

1. ALL MATERIALS AND CONSTRUCTION SHALL CONFORM TO THE REQUIREMENTS OF THE SPECIFICATIONS.
2. SEE PLANS FOR CONDUIT SIZE, LOCATION AND QUANTITY.
3. ANCHOR BOLTS SHALL BE GALVANIZED STEEL 5/8" x 18" x 4" WITH HARDWARE.
4. CONDUITS SHALL BE INSTALLED AS PER UTILITY REQUIREMENTS FOR FOUNDATIONS.
5. ALL FOUNDATIONS SHALL HAVE BONDED GROUND ROD INSTALLED PRIOR TO THE FOUNDATION BEING POURED.

ENCLOSURE CONSTRUCTION NOTES:

1. FABRICATED FROM STAINLESS STEEL 14GA., WELDED CONSTRUCTION, POWDER COATED FINISH.
2. NEMA TYPE 3R CONSTRUCTION - RAIN TIGHT
3. ALL HARWARE USED SHALL BE STAINLESS STEEL
4. ALL HINGES SHALL BE STAINLESS STEEL
5. FACTORY WIRED TO NEC STANDARDS
6. METER RATINGS INSTALLED ON FACTORY NAMEPLATE

MODEL NUMBERS EXAMPLE

COMMERCIAL SERVICE PEDESTAL

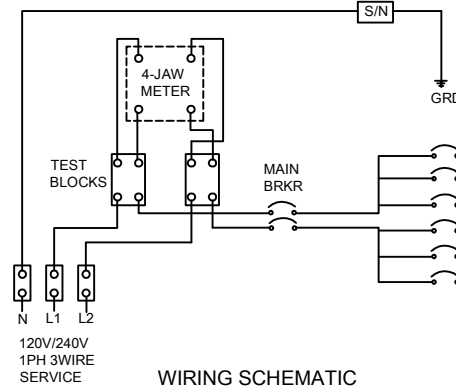
CSP-A-106-10K

PEDESTAL TYPE

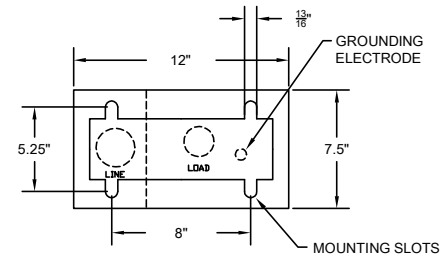
TOTAL AMPERAGE
1-100A
2-200A

CIRCUIT BREAKERS

AIC RATING



WIRING SCHEMATIC



BASE FOR SERVICE
EQUIPMENT ENCLOSURE

STRONG BOX
VIT PRODUCTS, INC.
2063 WINRIDGE PLACE
ESCONDIDO, CA. 92029
800-729-1314
www.strongbox.com

CSP-A Series
MODELS
CSP-A-106-10K
CSP-A-106-42K

Project	Sheet
Date	
Scale	