



COMMERCIAL SERVICE PEDESTAL

- Provides metered power distribution for street lighting, parking lot lighting, traffic signal circuits, private development lighting, signage, irrigation, pump stations, and cellular applications
- Caltrans Type III-BF and Caltrans Spec ES-2E Compliant
- 100% stainless steel welded construction provides ultimate protection against corrosion and vandalism
- Swingside top allows for full exposure of meter compartment
- Top is easier to open and control than fliptops, and locks out for safety
- All stainless steel construction, powder coated in ANSI gray or foliage green
- Weather & Vandal Resistant
- Metered & Unmetered available

FEATURES

- Standard Voltage 120/240 V, 1 Phase 3W
- Meter Socket: 4 Jaw, 100 Amp
- Main Breaker: 100 Amp, 10K AIC
- Meter Socket with Test Blocks
- Utility Landing Lugs: 200 Amp
- Swing Side Top Meter Door
- 8 Circuit Copper Bussed Interior
- Access Panels Designed for Padlock & Utility Seal
- Template with Anchor Bolts
- 10 Year Limited Warranty

OPTIONS

- Meter Socket: 5 Jaw, 100 Amp
- Metered & unmetered available
- Maximum Voltage: 240 V, 1 Phase, 3W
- Higher AIC Available: 22K, 42K
- Powdercoat Colors Gray, Green or Tan
- Optional Time Clock, Lighting & Contact Block

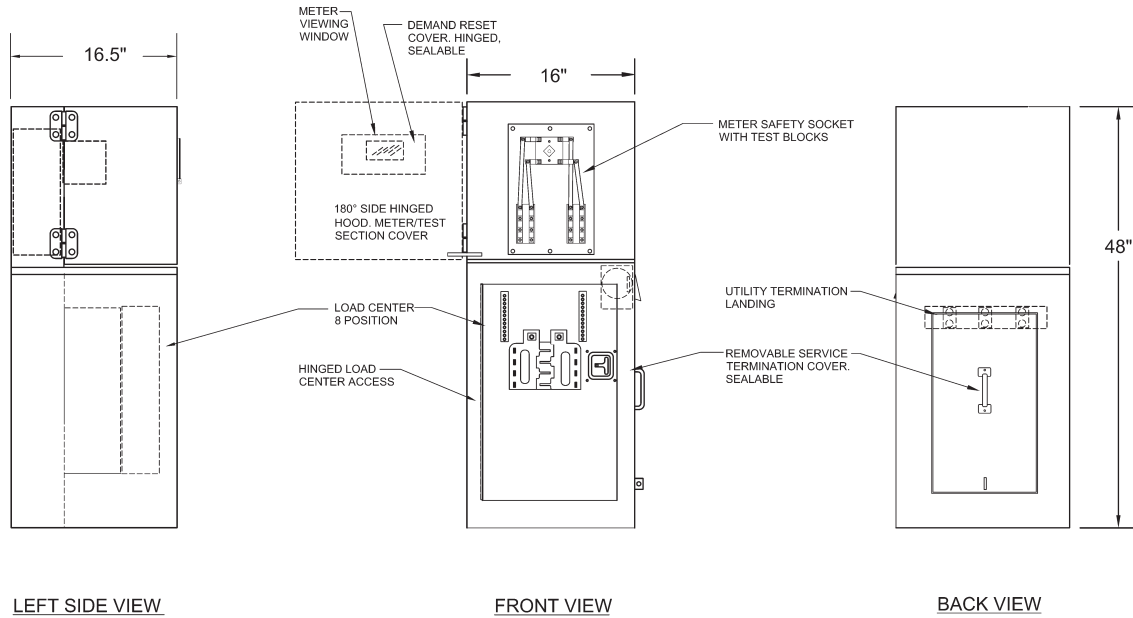
SPECIFICATIONS

- Caltrans Type III-BF Compliant
- Caltrans Spec. ES-2E Compliant
- 16 Gauge Stainless Steel Welded Construction
- Vandal Resistant Enclosure
- Listed by Underwriters Laboratories, Inc.
- Complies with EUSERC 308
- Rainproof Type 3R Rated
- UL 508A Panel Shop



CSP-B SERIES METERED ENCLOSURE

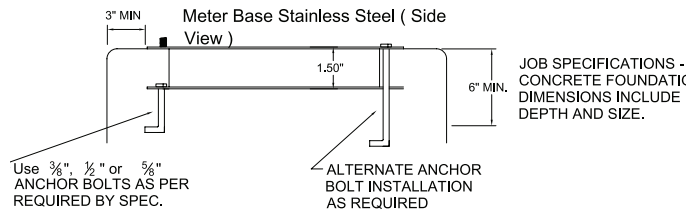
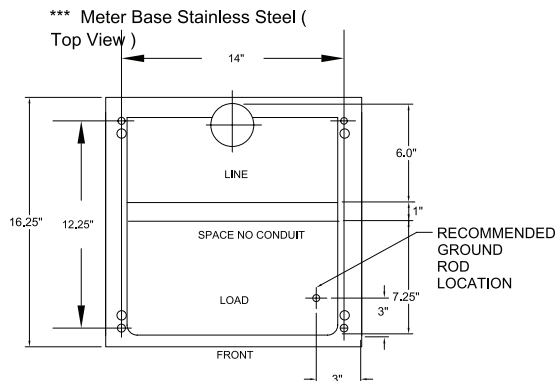
Designed to supply metered power to remote locations. Typical applications include street lighting, traffic signal circuits, parking lot lighting, highway and pump stations and cellular applications.



SHOWN WITH METER HOOD SWUNG OPEN 180 DEGREES

METER SPECIFICATIONS

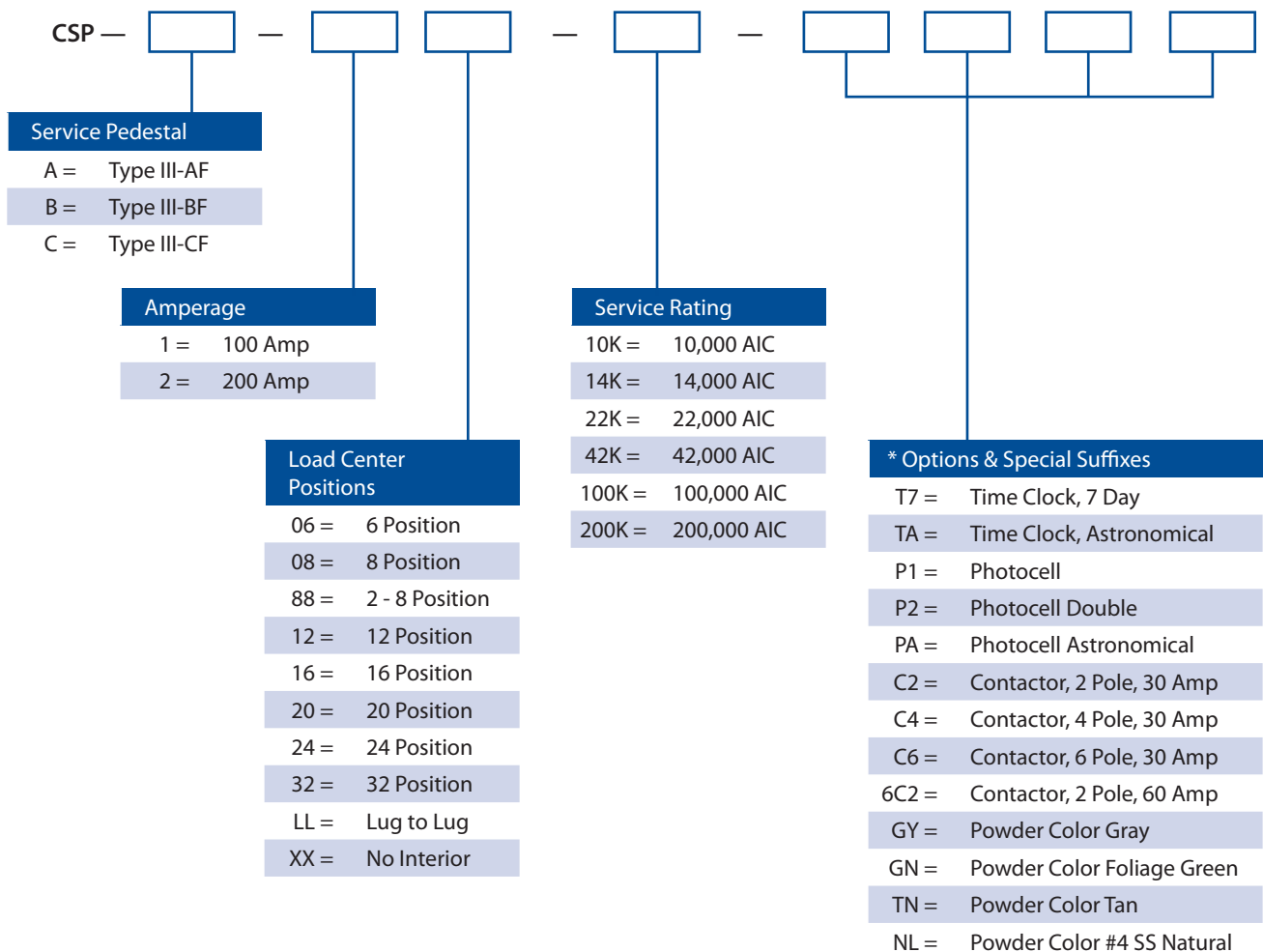
- 0-100 Amp Load Center with up to 2-8 Circuits
- 120V & 240V Models Available
- Test Blocks
- UL Listed, NEMA Type 3R Rated
- EUSERC 308 Compliant Commercial Meter Pedestal
- Small Cabinet Profile with Side Swinging Doors
- 16" Wide, 48" High, 16" Deep
- 10 Year Limited Warranty



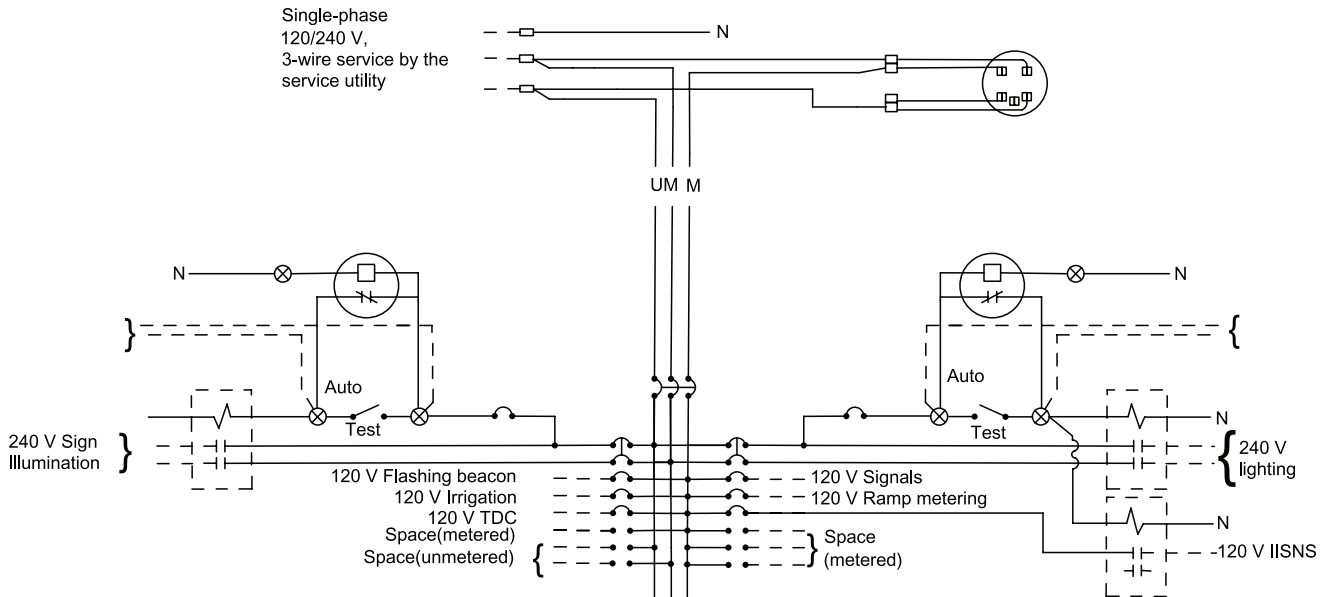
CSP-B MODEL NUMBERS & SERVICE OPTIONS

Model No.	Amps	Voltage	Service	Main	Load Center
CSP-B-188-10K*	100A	120/240	Metered/Unmetered	(2x) 100A	(2x) 8 Position
CSP-B-108-10K*	100A	120/240	Metered	100A	8 Position
CSP-B-116-10K*	100A	120/240	Metered	100A	16 Position
CSP-B-208-10K*	200A	120/240	Metered	200A	8 Position
CSP-B-216-10K*	200A	120/240	Metered	200A	16 Position

PART NUMBER CONFIGURATION – SERVICE PEDESTALS



CSP-B TYPE III BF CT WIRING DIAGRAM



CSP-B TYPE III BF CT SINGLE LINE

