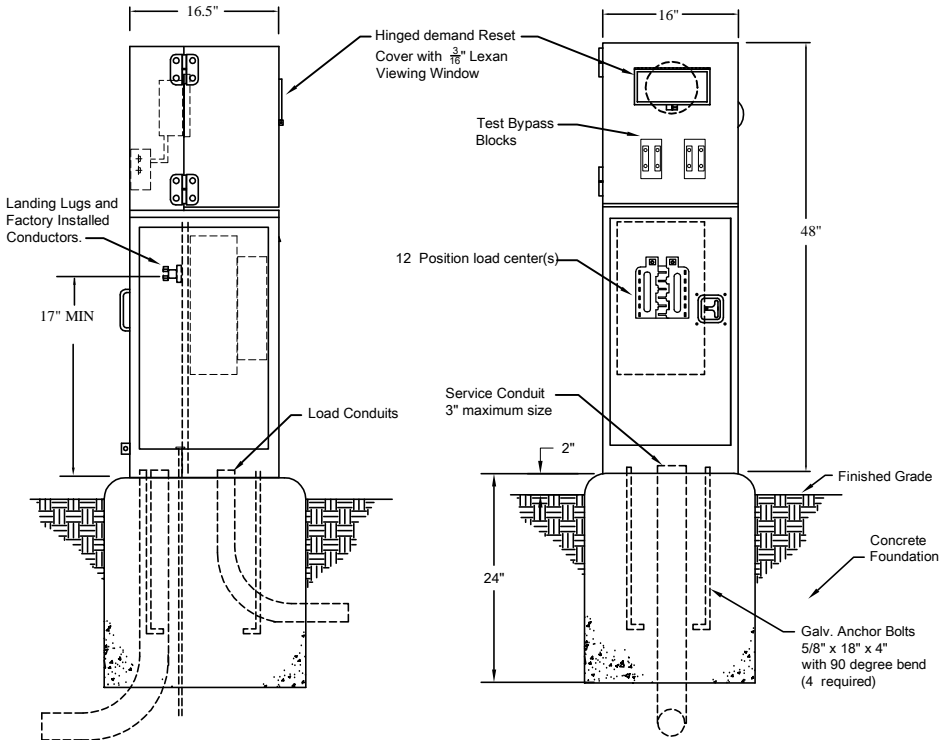
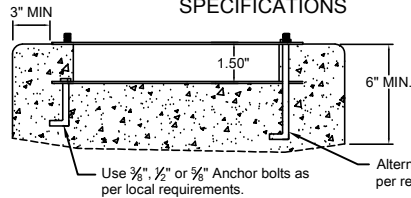


STRONGBOX CSP B-SERIES PEDESTALS

ALL WIRING AND FOUNDATION CONSTRUCTION TO CONFORM TO CALTRANS 2006 STANDARD PLANS ES-2E



CSP - STAINLESS BASE STRONGBOX MANUFACTURE SPECIFICATIONS



JOB SPECIFICATIONS
 Manufacture built base used on new installations to secure meter pedestal into concrete. Anchors according to size as per special provisions for job.

Alternate bolt installation as per required.

GENERAL NOTES:

1. ALL MATERIALS AND CONSTRUCTION SHALL CONFORM TO THE REQUIREMENTS OF THE SPECIFICATIONS.
2. SEE PLANS FOR CONDUIT SIZE, LOCATION AND QUANTITY.
3. ANCHOR BOLTS SHALL BE GALVANIZED STEEL 5/8" x 18" x 4" WITH HARDWARE.
4. CONDUITS SHALL BE INSTALLED AS PER UTILITY REQUIREMENTS FOR FOUNDATIONS.
5. ALL FOUNDATIONS SHALL HAVE BONDED GROUND ROD INSTALLED PRIOR TO THE FOUNDATION BEING POURED.

ENCLOSURE CONSTRUCTION NOTES:

1. FABRICATED FROM STAINLESS STEEL 14GA., WELDED CONSTRUCTION, POWDER COATED FINISH.
2. NEMA TYPE 3R CONSTRUCTION - RAIN TIGHT
3. ALL HARDWARE USED SHALL BE STAINLESS STEEL
4. ALL HINGES SHALL BE STAINLESS STEEL
5. FACTORY WIRED TO NEC STANDARDS
6. METER RATINGS INSTALLED ON FACTORY NAMEPLATE

MODEL NUMBERS EXAMPLE

COMMERCIAL SERVICE PEDESTAL

CSP-B-112-10K

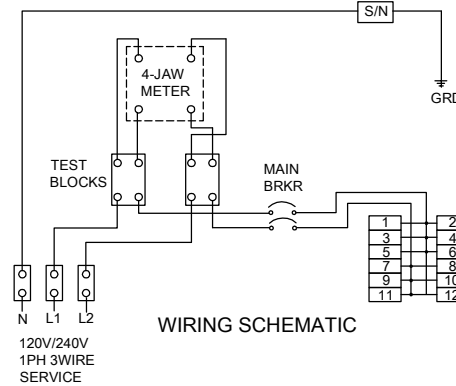
PEDESTAL TYPE

TOTAL AMPERAGE

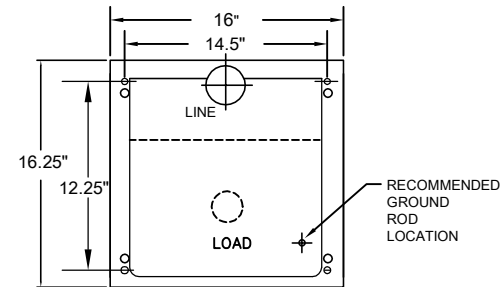
1-100A
2-200A

CIRCUIT BREAKERS

AIC RATING



WIRING SCHEMATIC



FRONT
 CSP - BASE FOR SERVICE EQUIPMENT ENCLOSURE

STRONG BOX
 VIT PRODUCTS, INC.
 2063 WINRIDGE PLACE
 ESCONDIDO, CA. 92029
 800-729-1314
 www.strongbox.com

CSP-B Series

MODELS

- CSP-B-108-10K
- CSP-B-112-10K
- CSP-B-188-10K
- CSP-B-288-10K
- CSP-B-108-42K
- CSP-B-112-42K
- CSP-B-188-42K
- CSP-B-288-42K

Project	Sheet
Date	
Scale	