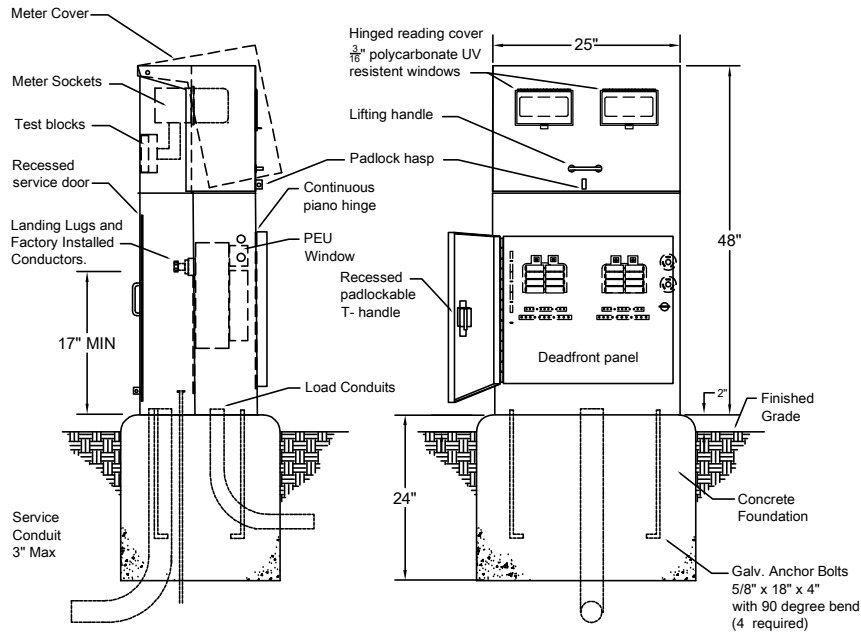


# STRONGBOX CSP C-SERIES PEDESTALS

Commercial Service Pedestals 0-200 Amps  
 Manufactured to meet Utility Specifications EUSERC 308, Type III



## Utility Approvals:

SIGNATURE: \_\_\_\_\_

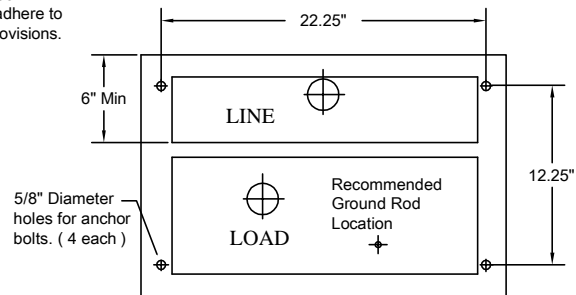
DATE: \_\_\_\_\_

Letter of approval contingent on Meter Pedestal manufactured in accordance with EUSERC 308 Specifications and its revisions.

NO DESIGN MODIFICATIONS ARE ALLOWED

NOTE:  
 Foundation Specifications:  
 Ensure foundation specifications adhere to local special provisions.

CSP C-Series - Base for Service Equipment Enclosure



Utility Termination Section

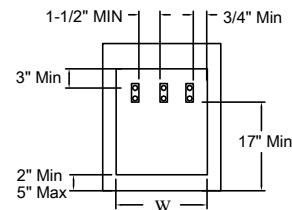
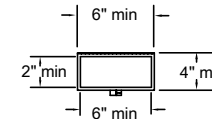


TABLE 1 - MIN. DIMENSIONS

SERVICE	W
1PHASE	10-1/2"

Hinged Demand Reset Covers



STRONG BOX  
 VIT PRODUCTS, INC.  
 2063 WINRIDGE PLACE  
 ESCONDIDO, CA. 92029  
 800-729-1314  
 www.strongbox.com

### CSP-C Series

MODELS

Project	Sheet
Date	
Scale	